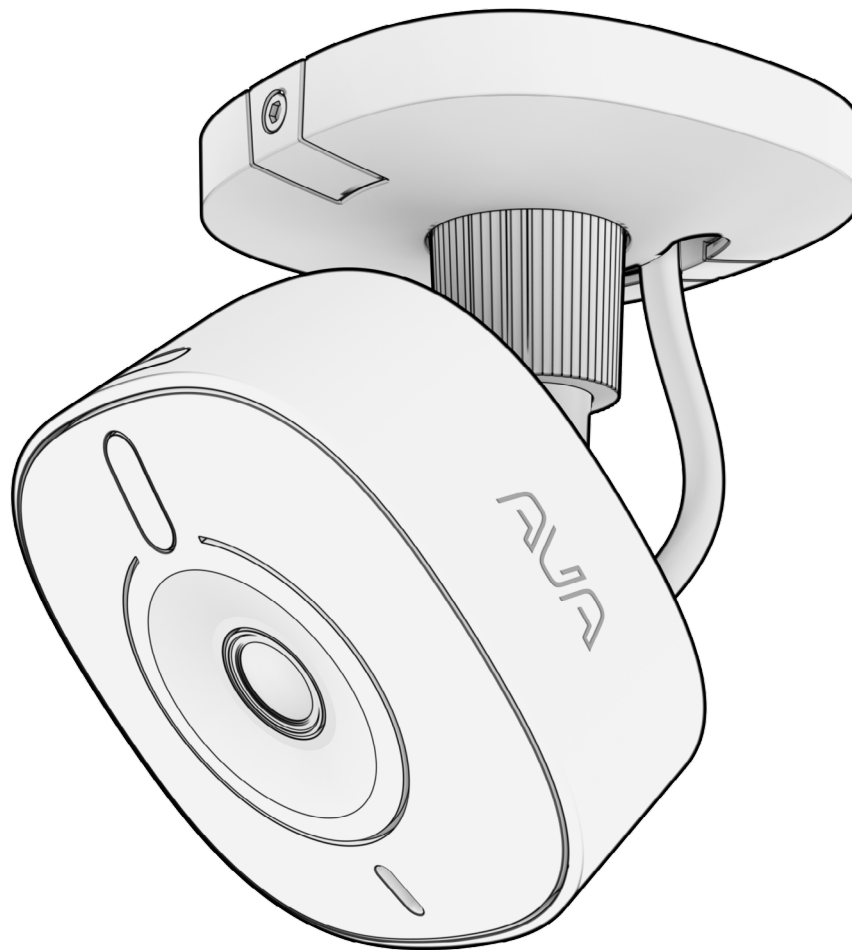


AVA

**FLEX**

Mounting guide

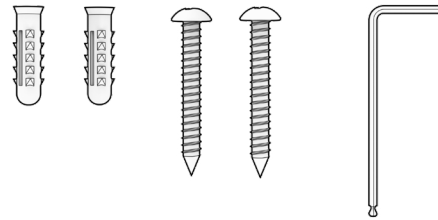
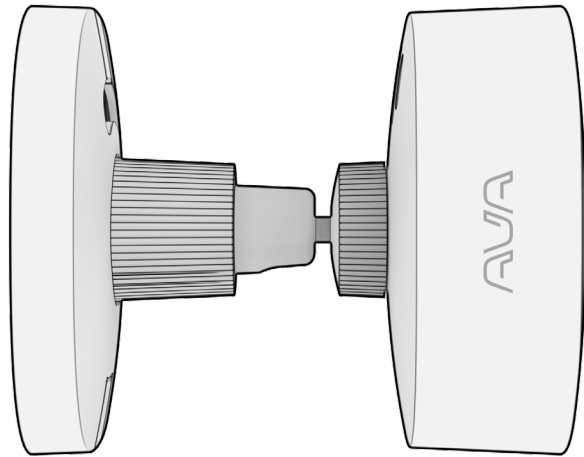




## Important warnings and Safety instructions

- ✗ **Avoid** exposing the camera to shocks, high pressure or temperatures above 40°C.
- ✗ **Avoid** placing the camera near fans, ventilation or other noise sources. This will degrade audio performance.
- ✗ **Avoid** placing the camera near fans, ventilation or other heat sources. This will degrade sensor performance.
- ✗ **Avoid** scratching or leaving fingerprints on the lens, this degrades image quality. If possible, keep the protective plastic on the lens cover during installation.
- ✗ **Do not** clean the camera with harsh detergents, gasoline or chemicals such as Acetone.
- ✗ **Do not** try to repair the unit yourself. Refer all servicing of the camera to Ava or contact a reseller.
- ! Prolonged use of the white LEDs may affect sensor readings.
- ! This product should be supplied by a Power over Ethernet (PoE) Power Sourcing Equipment (PSE) compliant with IEEE 802.3af or USB-C power source rated 5V 1.5A. The power supply should be UL-listed and marked “Limited Power Source” or “LPS”.
- ! The camera and the PoE PSE must be installed within the same building, as described by Environment A of the IEEE 802.3af standard. The PoE PSE must be properly grounded.

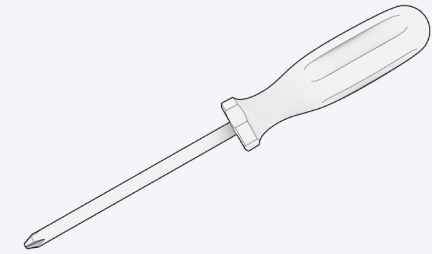
# Box contents



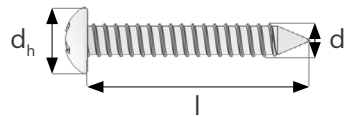
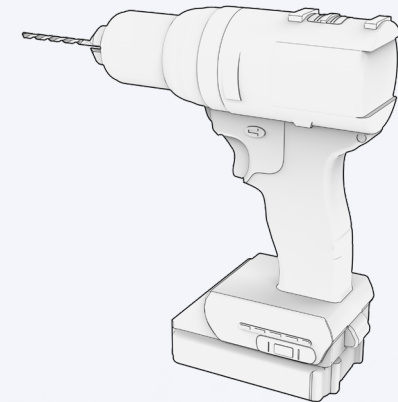
Hex 2.5mm

## Required:

- PH2 screwdriver

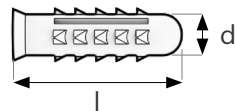


- Drill with 6mm (1/4") drill bit



### Screw dimensions

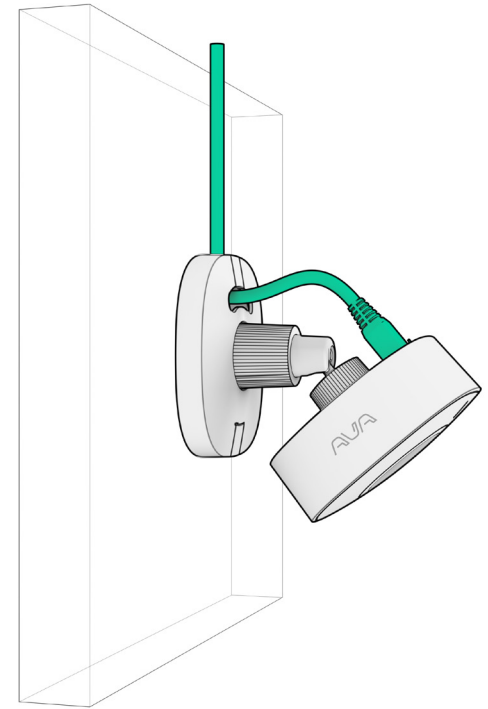
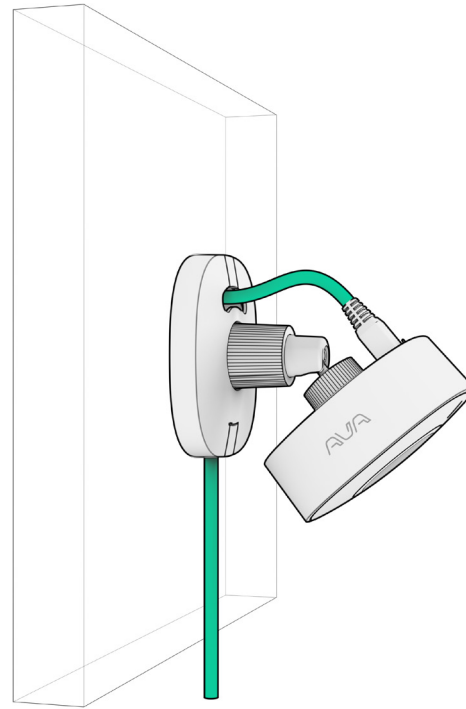
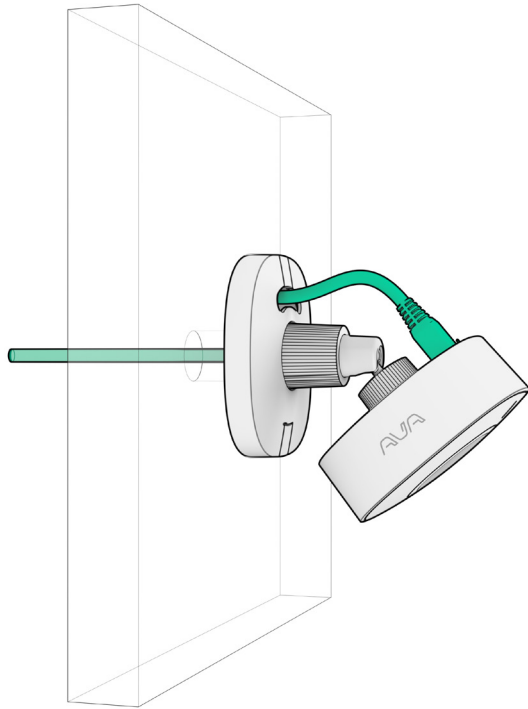
$d_h = 9.4 \text{ mm}$   
 $l = 32 \text{ mm}$   
 $d = 4 \text{ mm}$



### Anchor dimensions

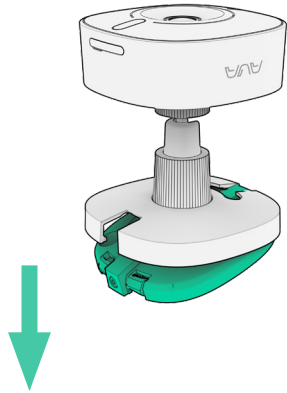
$l = 25 \text{ mm}$   
 $d = 6 \text{ mm} / \frac{1}{4} \text{''}$

# Cable routing alternatives

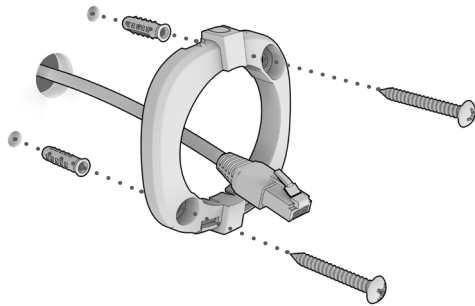


# Installing the bracket

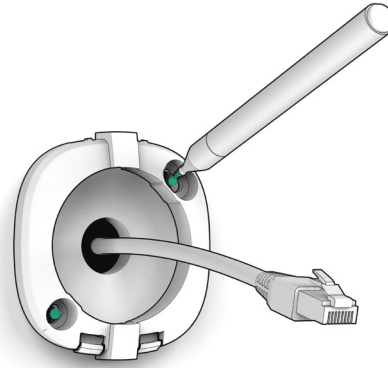
1



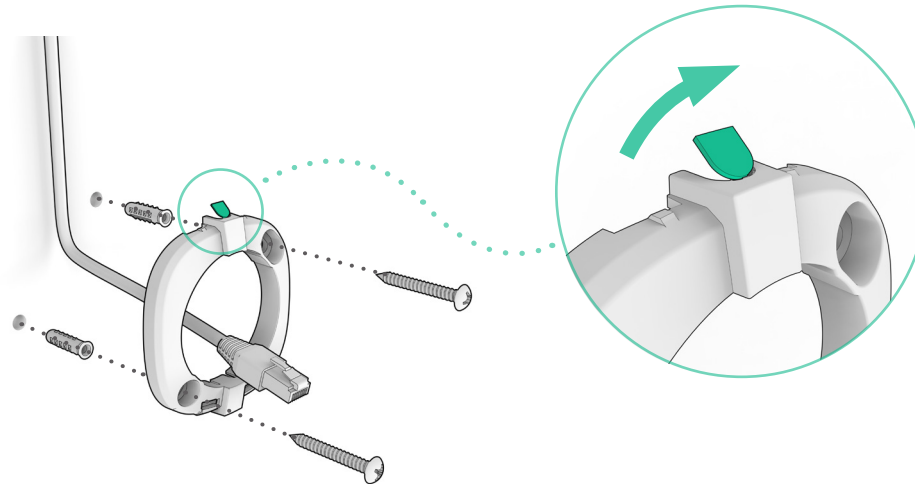
**4A** Through the wall / ceiling cable



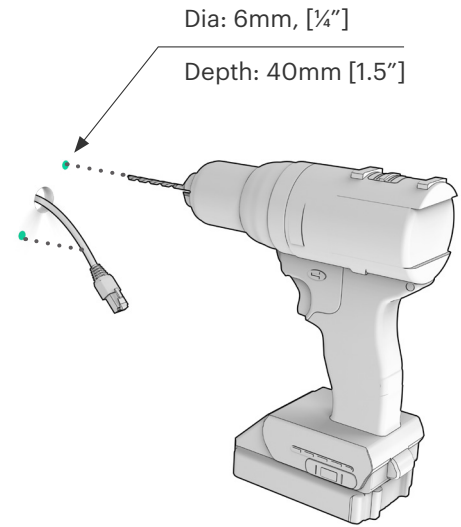
2



**4B** Side entry cable

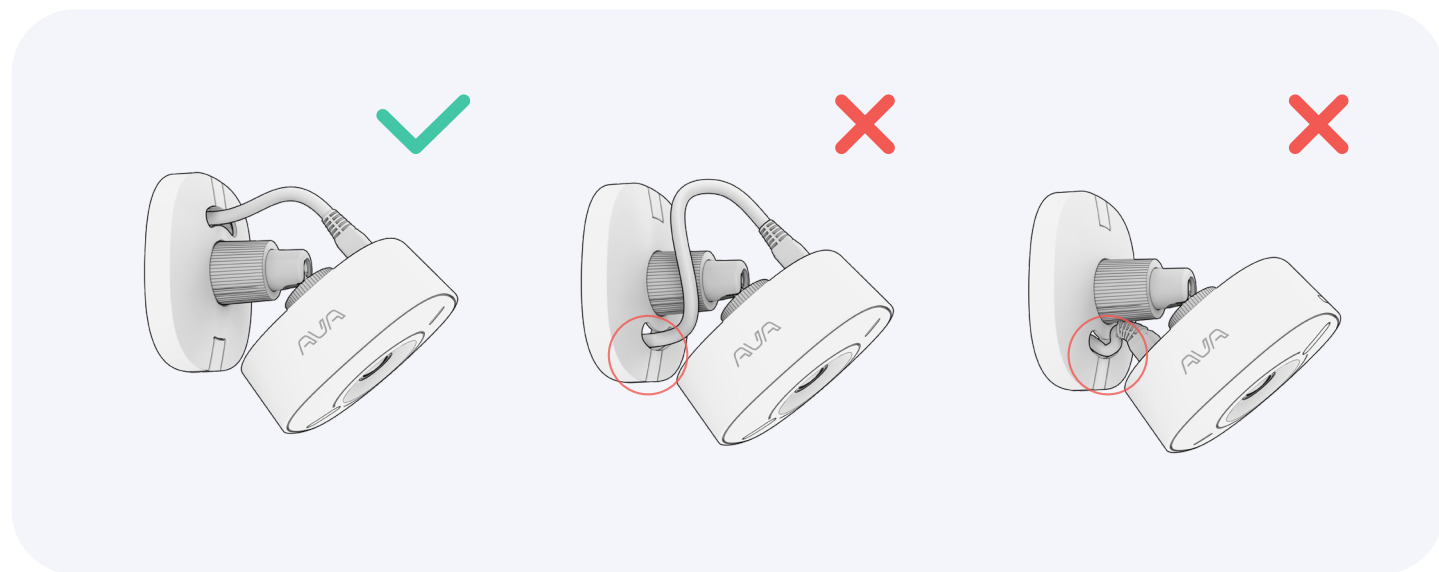
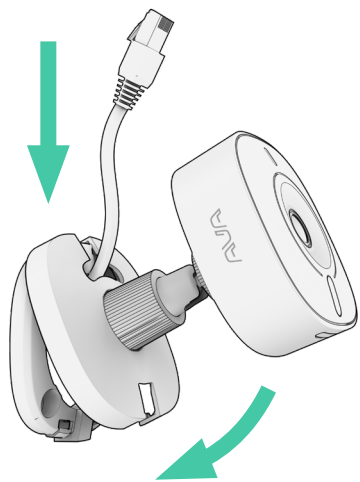


3

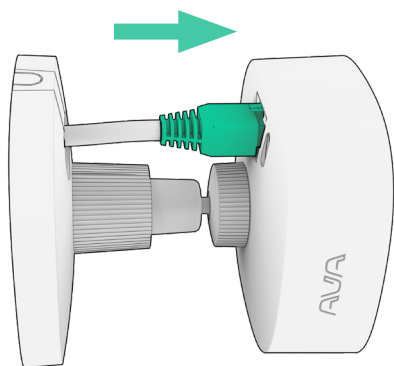


# Attaching the camera and connecting the ethernet cable

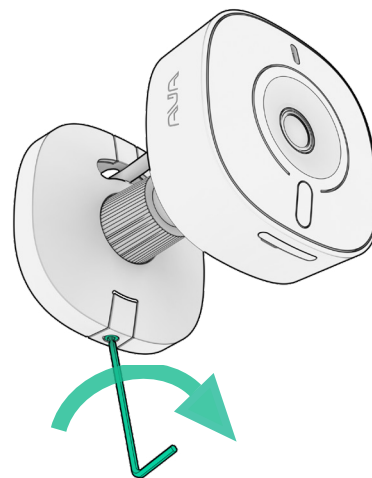
5



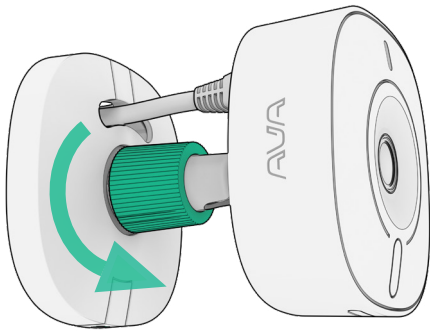
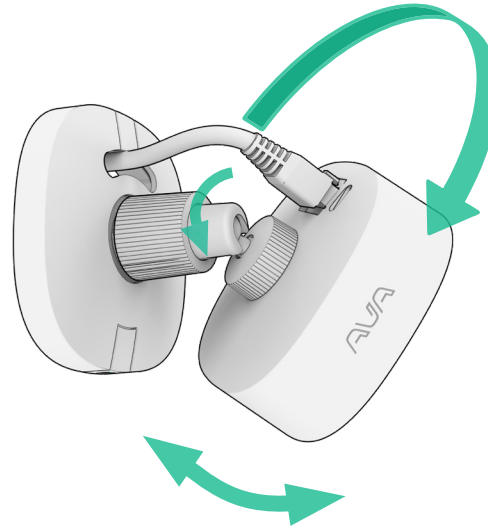
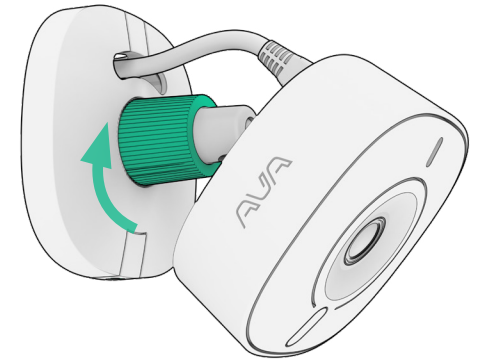
6



7



## Adjusting camera orientation by using the ball joint

**8****9****10**



## Federal Communication Commission Interference Statement

This device complies with Part 15 of the FCC Rules. Operation is subject to the following two conditions: (1) This device may not cause harmful interference, and (2) this device must accept any interference received, including interference that may cause undesired operation.

**NOTE:** This equipment has been tested and found to comply with the limits for a Class A digital device, pursuant to part 15 of the FCC Rules. These limits are designed to provide reasonable protection against harmful interference when the equipment is operated in a commercial environment. This equipment generates, uses, and can radiate radiofrequency energy and, if not installed and used in accordance with the instruction manual, may cause harmful interference to radio communications. Operation of this equipment in a residential area is likely to cause harmful interference in which case the user will be required to correct the interference at his own expense.

### **FCC Caution:**

Any changes or modifications not expressly approved by the party responsible for compliance could void the user's authority to operate this equipment. This transmitter must not be co-located or operating in conjunction with any other antenna or transmitter.

### **Radiation Exposure Statement:**

This equipment complies with FCC radiation exposure limits set forth for an uncontrolled environment. This equipment should be installed and operated with minimum distance 20cm between the radiator & your body.





## Industry Canada statement

This device complies with ISED's licence-exempt RSSs. Operation is subject to the following two conditions: (1) This device may not cause harmful interference, and (2) this device must accept any interference received, including interference that may cause undesired operation.

Le présent appareil est conforme aux CNR d'ISED applicables aux appareils radio exempts de licence. L'exploitation est autorisée aux deux conditions suivantes : (1) le dispositif ne doit pas produire de brouillage préjudiciable, et (2) ce dispositif doit accepter tout brouillage reçu, y compris un brouillage susceptible de provoquer un fonctionnement indésirable.

### **Caution:**

(i) the device for operation in the band 5150-5250 MHz is only for indoor use to reduce the potential for harmful interference to co-channel mobile satellite systems;

### **Avertissement:**

(i) les dispositifs fonctionnant dans la bande 5150-5250 MHz sont réservés uniquement pour une utilisation à l'intérieur afin de réduire les risques de brouillage préjudiciable aux systèmes de satellites mobiles utilisant les mêmes canaux;

### **Radiation Exposure Statement:**

This equipment complies with ISED radiation exposure limits set forth for an uncontrolled environment. This equipment should be installed and operated with greater than 20cm between the radiator & your body.

### **Déclaration d'exposition aux radiations:**

Cet équipement est conforme aux limites d'exposition aux rayonnements ISED établies pour un environnement non contrôlé. Cet équipement doit être installé et utilisé à plus de 20 cm entre le radiateur et votre corps.